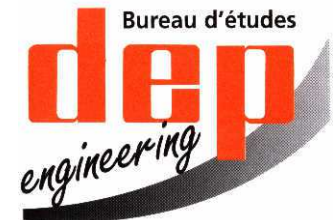


## Bending Fatigue Test Stand - Machine 3514

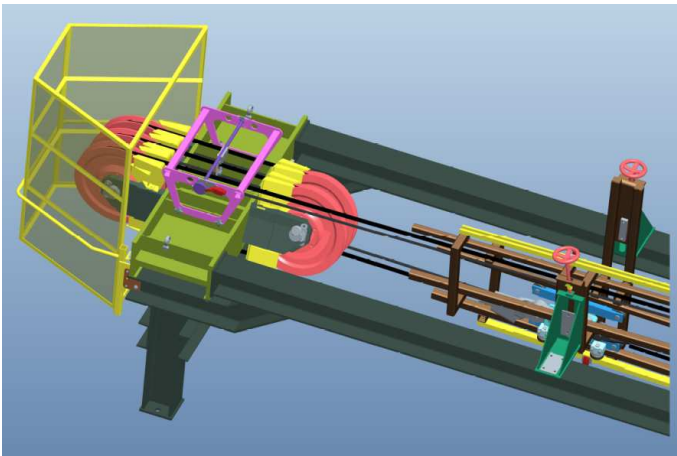


13 rue du Béal  
F 38400 Saint Martin d'Hères  
33 (0)4 76 62 84 54  
[dep@dep-engineering.fr](mailto:dep@dep-engineering.fr)

Jean Marc TEISSIER  
33 (0)6 08 91 45 36  
[jnteissier@dep-engineering.fr](mailto:jnteissier@dep-engineering.fr)



Machine length: 15 m  
Machine width: 3 m



### Machine capabilities:

Line pull: **10T** in each part of rope

Rope diameter: **10 mm to 25 mm**

Sheaves diameter: **320 mm; 400 mm; 480 mm**

Number of sheaves per block: 5

Number of sheave block: 3

Option: Rope elongation measurement:  
Reeving efficiency measurement:  
PLC system with a flat screen of 15" (friendly interface for operators – recording and displaying of curves during the test)

